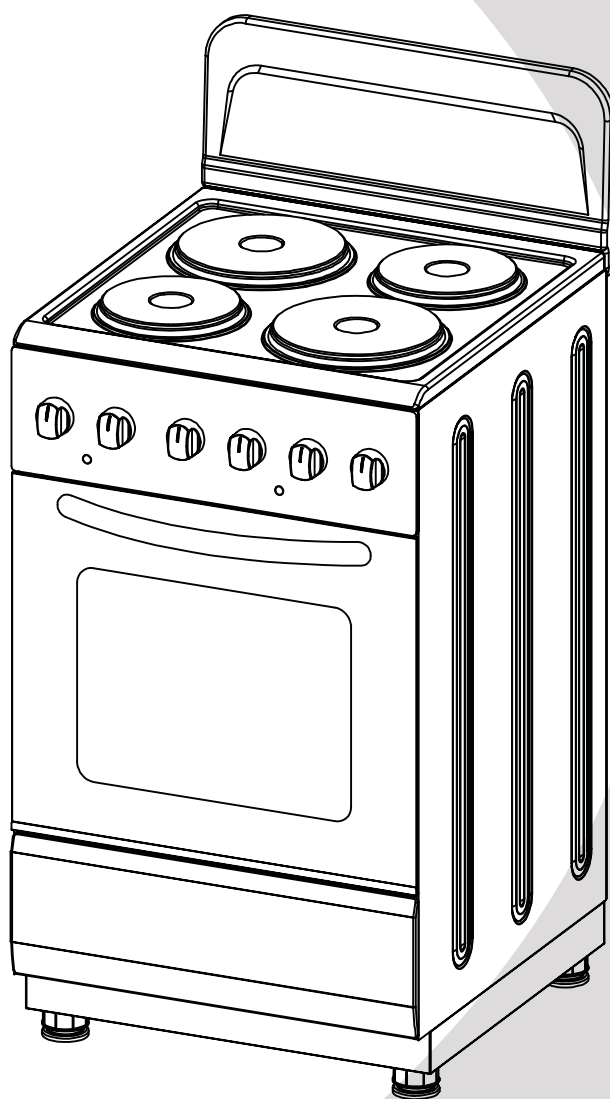


FOUR PLATE STOVE

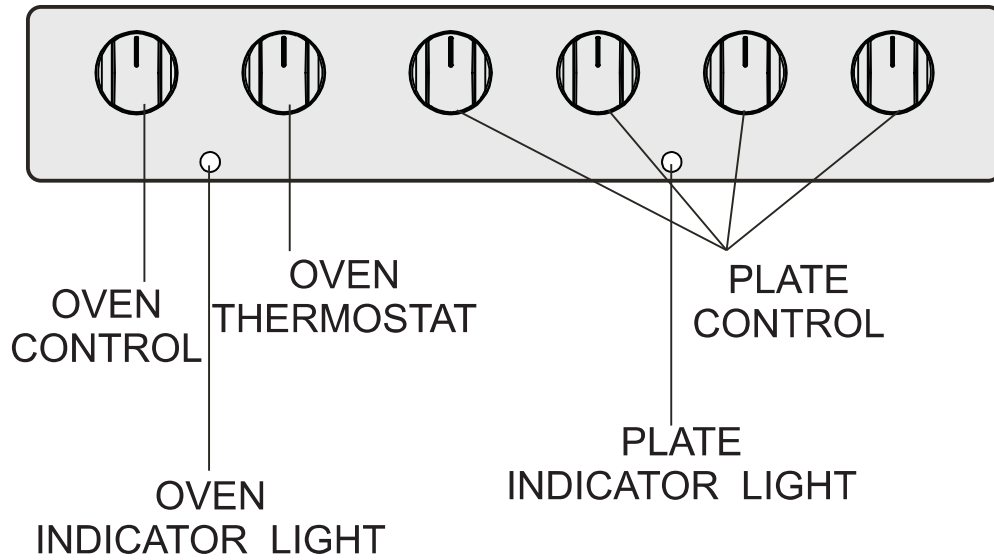


MODEL NO: MI3832

[www.zsgl.com.cn](http://www.zsgl.com.cn)

**INSTRUCTIONS FOR USE AND CARE**

## CONTROLS



## WARNING

**SURFACE AREAS OF HEATING AND COOKING APPLIANCES - AS WELL AS ELEMENTS AND OVEN INTERIORS GET EXTREMELY HOT WHEN IN USE**

**ALWAYS KEEP CHILDREN WELL AWAY WHEN THESE UNITS ARE IN USE**

# USER INSTRUCTIONS

Please read these instructions carefully and familiarise yourself with your New 4 PLATE OVEN before first use.

## POWER

- 230V ~ 50Hz 7600W
- Ensure that the voltage indicated on the identification plate corresponds with the mains voltage.

**WARNING: THIS APPLIANCE MUST BE EARTHED**

**NOTE: THIS UNIT MUST ONLY BE INSTALLED BY A QUALIFIED ELECTRICIAN ACCORDING TO THE WIRING INSTRUCTIONS OF SABS 0142**

## IMPORTANT SAFEGUARDS

*When using electrical appliances, basic safety precautions should always be followed including the following:*

### READ ALL INSTRUCTIONS

- Accessible parts may become hot during use. Young children should be kept away.
- The surfaces are liable to get hot during use, *Do not touch hot surfaces. Use handles or knobs.* During use the appliance becomes hot. Care should be taken to avoid touching heating elements inside the oven.
- This appliance is not intended for use by persons (including children) with reduced physical, sensory or mental capabilities, or lack of experience and knowledge, unless they have been given supervision or instruction concerning use of the appliances by a person responsible for their safety.  
Children should be supervised to ensure that they do not play with the appliance.
- Do not use harsh abrasive cleaners or sharp metal scrapers to clean the oven door glass since they can scratch the surface, which may result in shattering of the glass.
- *Isolate at wall when not in use and before cleaning. Allow to cool before putting on or taking off parts.*
- *Under no circumstances must a steam cleaner be used for cleaning this unit.*
- *This oven must not be placed on a base. This unit is a free floor standing unit.*
- *The use of accessory attachments not recommended by the appliance manufacturer may cause injuries.*
- *Do not use outdoors.*
- *Do not place on or near a hot gas or electric burner, or in a heated oven.*
- *To disconnect, consult qualified personnel or a qualified electrician.*
- *Do not use this appliance for anything else other than its intended use. The appliances are not intended to be operated by means of an external timer or separate remote-control system.*
- *This appliance is for household use only.*
- *Do not leave unattended while operating*
- ***Make sure the knobs are in the "0" position when the appliance is not in use.***

***Important: disconnect the cooker from the electricity when making any adjustment, maintenance operation, etc..***

- *During use the appliances becomes hot. Care should be taken to avoid touching heating elements inside the oven, for cooking ranges and ovens*
- *The instructions for ovens that have shelves shall include details indicating the correct installation of the shelves (contents).*
- *Danger of fire: Do not store items on the cooking surfaces.*  
**CAUTION:** *The cooking process has to be supervised. A short term cooking process has to be supervised continuously.*

**WARNING: Unattended cooking on a hob with fat or oil can be dangerous and may result in a fire.**

- Means for disconnection must be incorporated in the fixed wiring in accordance with the wiring rules. If a cooking range does not have a supply cord, the instructions shall state the type of cord to be used, taking into account the temperature of the rear surface of the appliance (contents)..
- If the supply cord is damaged, it must be replaced by a special cord or assembly available from the manufacturer or its service agent.
- Unless the instructions for cooking ranges state that the range must not be placed on a base, the instructions for cooking ranges that are placed on the floor shall state that if the range is placed on a base, measures have to be taken to prevent the appliance slipping from the base.
- Unless the instructions state to the contrary, the instructions for cooking ranges and ovens shall state that the appliance must not be installed behind a decorative door in order to avoid overheating.

## INSTALLATION

- THIS UNIT MUST ONLY BE INSTALLED BY A QUALIFIED ELECTRICIAN ACCORDING TO THE WIRING INSTRUCTIONS OF SABS 0142
- This oven must be connected through a 45 amp isolator.
- Remove all packing material and place the stove on a flat level surface.
- Align the splash back plate onto the back of the cooking top.
- Fasten the 2 screw(provided) into the back cover-until tight.

### **Electrical connection**

The appliance come without a power supply cable. The cooker is designed to operate on an electricity supply which conforms to the electrical data shown on the Rating Plate. The cooker can be connected to the mains only after removing the back panel of the cooker itself with a screwdriver.


**N.B.:** the following installation procedure must be carried out by a qualified electrician. The electrical installation must comply with the IEE Regulations, Building & local By-Laws. For the installation of the feeding cable carry out the following operations:

- Pull and open the junction block lid

Important: the wires in the mains lead are coloured in accordance with the following code:

Green & Yellow	Earth
Blue	Neutral
Brown	Live

As the colours of the wires in the mains lead may not correspond with the coloured markings identifying the terminals in your plug, proceed as follows:

Green & Yellow wire to terminal marked "E" or  or coloured Green or Green & Yellow.

Brown wire to terminal marked "L" or coloured Red.

Blue wire to terminal marked "N" or coloured Black

- fix the feeding cable in the special cable stop and close the cover.

**N.B.:** the power supply cable must have these minimum requirements:

Type: H05RR-F

Section: 3X4 mm<sup>2</sup>

Connecting the supply cable to the mains

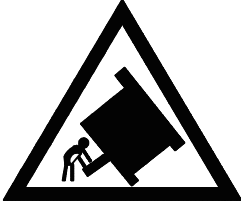
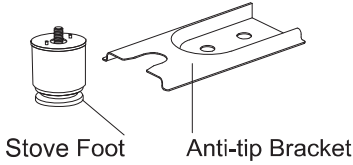
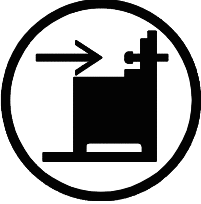
**WARNINGS: THIS APPLIANCE MUST BE EARTHED.**

**Note:** the supply cable must be positioned so that it never reaches at any point a temperature 50°C higher than the room temperature. The cable must be routed away from the rear vents.

# THE ANTI-TIP BRACKET

The stove will not tip during normal use. However, the stove can tip if you apply too much force or weight to the open door without the anti-tip bracket fastened down properly.

To reduce the risk of tipping the appliance, the appliance must be secured by properly installed anti-tip devices packed with the appliance.

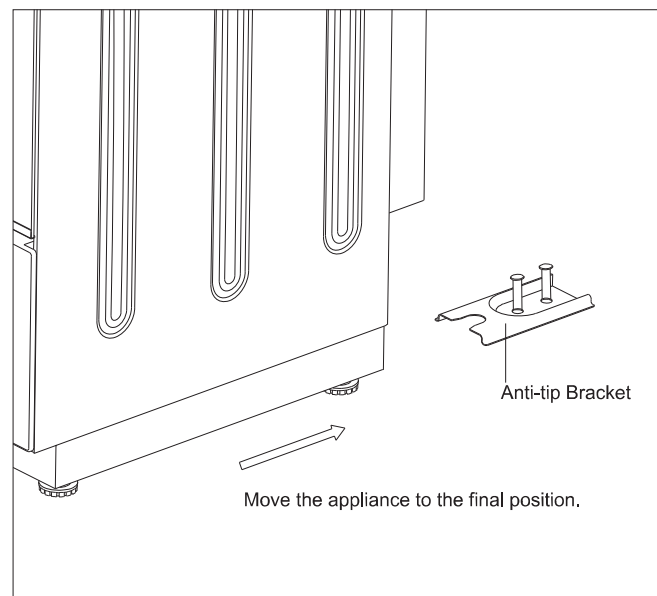
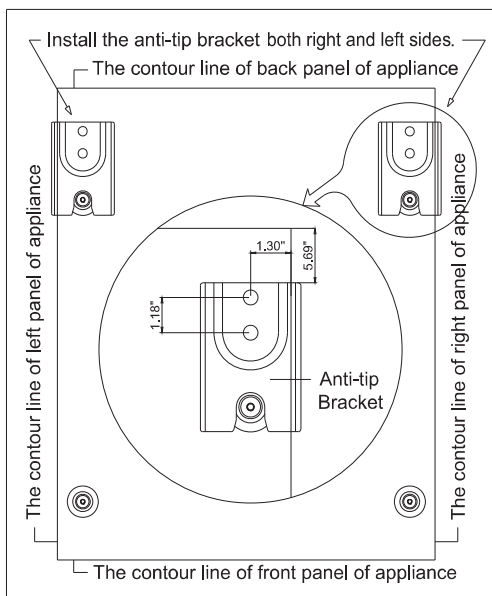
	<p><b>Caution, possibility of tilting</b></p> <p>To indicate possibility of tilting if anti-tip restraints are not fitted.</p> <p>This symbol may be used as the graphical symbol element for a warning sign in accordance with the provisions of ISO 3864 series and ISO 7010.</p> <p><i>Note:</i></p> <p><i>ISO 3864 series provides the rules for the application of this symbol as a safety sign such as a warning sign.</i></p> <p><b>Attention, risque de basculement</b></p> <p>Pour indiquer le risque de basculement si des barrières anti-basculement n'ont pas été mises en place.</p> <p>Ce symbole peut être utilisé comme l'élément de symbole graphique pour un signal d'avertissement conformément aux dispositions de la série ISO 3864 et de l'ISO 7010.</p> <p><i>Note:</i></p> <p><i>La série ISO 3864 fournit les règles d'application de ce symbole en tant que signal de sécurité tel qu'un signal d'avertissement.</i></p>
 <p>Stove Foot      Anti-tip Bracket</p>	<p><b>Making sure the anti-tip bracket is installed:</b></p> <ul style="list-style-type: none"><li>• <b>Slide stove forward.</b></li><li>• <b>Look for the anti-tip bracket securely attached to floor.</b></li><li>• <b>Slide stove back so rear stove foot is under anti-tip bracket.</b></li></ul>
	<p><b>Anti-tip restraints</b></p> <p>To indicate the need to fit anti-tip restraints.</p> <p>This symbol may be used as the graphical symbol element for a mandatory action in accordance with the provisions of ISO 3864 series and ISO 7010.</p> <p><i>Note:</i></p> <p><i>ISO 3864 series provides the rules for the application of this symbol as a safety sign such as a mandatory action.</i></p> <p><b>Barrières anti-basculement</b></p> <p>Pour indiquer la nécessité d'installer des barrières anti-basculement.</p> <p>Ce symbole peut être utilisé comme l'élément de symbole graphique pour une mesure obligatoire conformément aux dispositions de la série ISO 3864 et de l'ISO 7010.</p> <p><i>Note:</i></p> <p><i>La série ISO 3864 fournit les règles d'application de ce symbole en tant que signal de sécurité tel qu'une mesure obligatoire.</i></p>

## ANTI-TIP BRACKET INSTALLATION

To reduce the risk of tipping the stove by abnormal usage or improper door loading, the stove must be secured by properly installing the anti-tip device packed with the appliance.

- Place the anti-tip bracket on the floor as shown figure. It should be installed on both right and left sides.
- Mark the locations of the 2 holes of the anti-tip bracket on the floor.
- Use a 5/16" masonry drill bit and insert plastic anchor.
- Secure the bracket to the floor using the screws supplied.
- Slide the appliance into position.

**NOTE:** If stove is relocated, the bracket must be removed and installed in new location.



## OVEN CONTROL (baking)

- Select the left control knob - which will activate the Bake (bottom) oven element.
- Set the Oven Control to the desired temperature.
- The indicator light will glow and remain ON while the Oven is switched on.
- The door may be opened, for inspection purposes, after about half the cooking time has elapsed.



## OVEN CONTROL (grilling)

### THE OVEN DOOR MUST BE KEPT CLOSED DURING THE GRILLING FUNCTION

- Place the Oven Shelf on the top shelf position.
- Place the item to be grilled in a roast pan on the shelf under the pre-heated grill element.
- The Oven Door may be opened to check on the grilling process which should be done every 10 minutes to avoid burning the food.



## SOLID PLATES

**Before using the plates for the first time, switch them on for five minutes at the highest setting. This allows the factory applied protective coating to burn off. The plates may smoke the very first time they are used. They are not faulty - and the smoke will burn away safely within 5 minutes**

- Use only good quality, flat bottomed pots and ensure that the pot diameter is the same as or slightly larger than the plate diameter. This will prevent any spillage from dripping onto the plate itself.
- Any spillage should be wiped off as soon as possible with a damp cloth.
- A Nylon brush may be used to clean badly soiled plates.
- Periodically wipe the plate with salt-free castor oil to prevent them from corroding.
- Do not leave plates wet after cleaning them, but switch them on briefly to dry.
- NOTE: The warranty does not cover the replacement or repair of rusted or corroded solid plates. It is therefore the owners responsibility to care for them as described above.

## CLEANING

- Switch off the electrical supply to the stove before cleaning any part of it.
- Use a hot, soapy damp cloth to clean any part of the oven or the exterior of the stove.
- Stubborn stains may require the use of a nylon scrubbing brush and a liquid cleaner.
- Avoid using abrasive powders or caustic cleaners.
- Do not use a steam cleaner to clean this oven.

**Do not use metal scouring pads or sharp metal objects to clean any part of the stove.**

# WARRANTY

## REPAIRS / REPLACING POLICY

### □ **MAJOR APPLIANCE**

TWO YEAR Warranty – Appliances to be repaired.

### □ **MAJOR APPLIANCE WARRANTY CONDITIONS:**

This certificate is issued by the manufacturers of products, hereinafter the Company, to the original purchaser only, of the appliance described on the certificate and shall constitute the only warranty given in respect of this appliance.

The company warrants to the original purchaser that for a period of TWO YEARS from date of purchase the appliance is free from defect under normal domestic use, both in workmanship and material, subject to the following conditions:

- 1.Repair or replacement of any part of this appliance, found by the Company to be defective, shall be at the election of the Company. The company reserves the right to affect such service through any of its Service Divisions or Authorized Service Dealers. The cost of such service shall be borne by the Company in full, provided that the appliance is located no further than 50km from a company Service Centre or an Authorized Service Dealer. Where the appliance is located beyond the 50km radius, the purchaser shall be liable for the standard travelling charges, as determined by the Company.
- 2.Rusted or corroded solid plates, vitreous enamelware, fuses and lamps are specifically excluded from these warranties. It is an express condition of these warranties that the purchaser takes due care and attention in the use and maintenance of the appliance. Abuse, misuse in conflict with operating instructions, connection to incorrect voltages and subjection to commercial use shall release the Company from its obligations.
- 3.This warranty shall become void and cease to operate if the appliance is dismantled by, or any repairs to the appliance are effected by any persons not duly authorized by the Company, or if substitute parts not approved by the Company are used in the appliance, or if the serial number of the appliance is removed.
- 4.The Company shall not be responsible for damages resulting from fire, flood, civil disturbances or any Act of God. The Company shall not, in terms of these warranties be responsible nor held liable for any consequential loss or damage of any kind caused by or due to the failure of the appliance.
- 5.The Company shall not be responsible for transportation or other costs other than those incurred within the provisions of Point 1 of this certificate.
- 6.The warranties shall not apply to the appliance if it is purchased or used beyond the borders of the Republic of South Africa, Lesotho, Namibia and Swaziland.



7. Where service is requested under warranty and no fault or defect can be found by the Company, all costs incurred will be for the purchaser's account.

8. This certificate as well as your invoice will serve as proof of purchase. For the purpose of warranty, it will be essential to produce this Certificate and invoice. Failure to do so, will render the purchaser liable for service costs.

KEEP THIS OWNERS MANUAL AND YOUR ORIGINAL SALES INVOICE AS PROOF OF PURCHASE FOR WARRANTY PURPOSES

**Appliance:** \_\_\_\_\_

**Model:** \_\_\_\_\_ **Seal no.:** \_\_\_\_\_

**Purchaser's Name:** \_\_\_\_\_

**Address:** \_\_\_\_\_

\_\_\_\_\_

**Date of Purchase:** \_\_\_\_\_ **Installation by:** \_\_\_\_\_

**Dealer:** \_\_\_\_\_